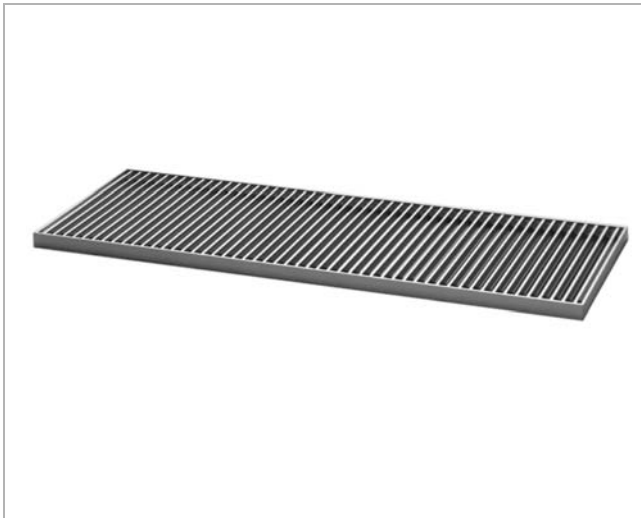


Radiator grille

A1



Description

Radiator grille A1 is an aluminium grille with fixed bars specially designed to cover convector channels. A1 is always supplied with the bars running between the longest sides. The distance between the bars is 20 mm and the grille has a free area of 75%.

The grille is dimensioned for a personal load up to a width of 500 mm.

Maintenance

The grille should be removed when cleaning the convector channel. The external parts should be wiped with a damp cloth.

Ordering example

Product	A1	0	b	ccc	ddd
Type					
Colour					
Frame					
A - Measure					
B - Measure					

Standard A dimension:

200 - 250 - 300 - 350 - 400 - 450 - 500

Supplied in all dimensions.

The grilles are supplied divided into 1 m sections.

The frame is supplied in one piece to a maximum of 3 m.

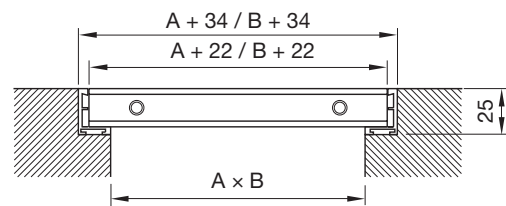
For longer lengths, connecting pieces are also supplied.

Max. A dimension at personal load: 500 mm.

B dimension as requested.

Min. A x B = 100 x 100

Dimensions



Colours:

0 – Natural anodised

Materials and finish

Grille: Aluminium

Standard finish: Natural anodised

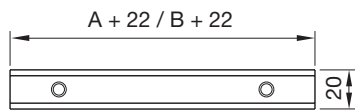
The grille is available painted in other colours. Please contact Lindab's sales department for further information.

Radiator grille

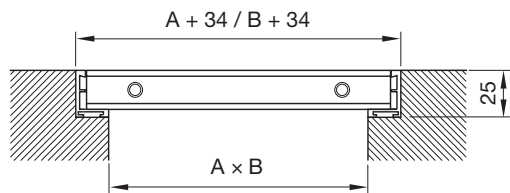
A1

Dimensions

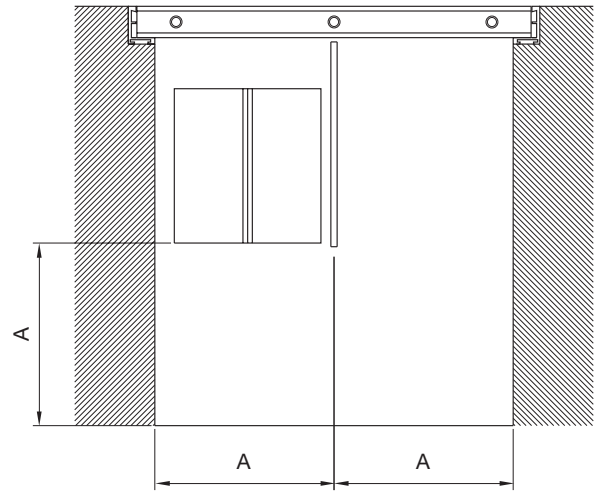
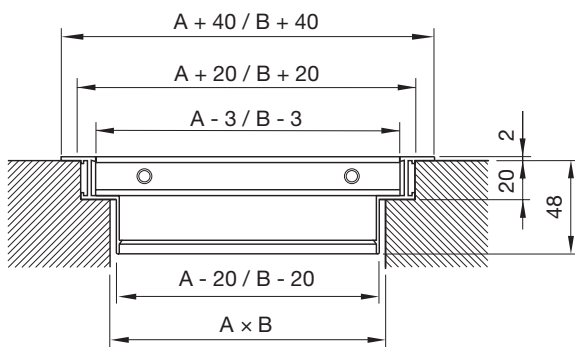
0 - Without frame



1 - With angle frame



3 - Z-frame with flange



The convector channel should be dimensioned in accordance with the convector manufacturer's instructions and the illustration above.