

External wall grille

VR



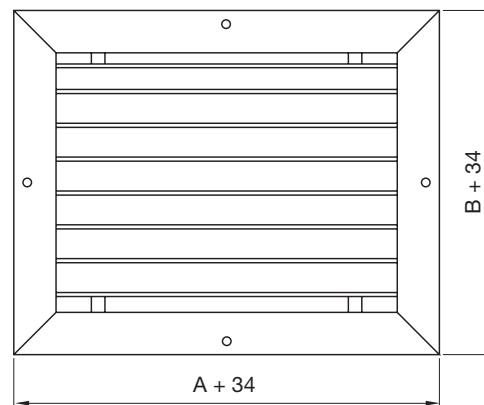
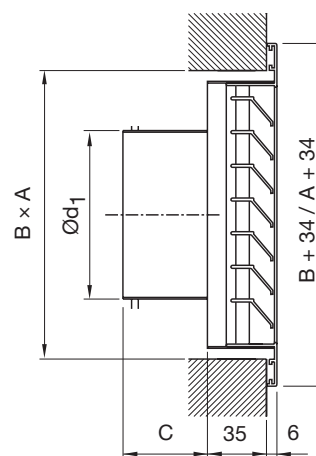
Description

VR is a square louvred grille for installation in external walls. VR is used for both fresh air intake and discharge. VR is equipped as standard with a safe-seal circular connection.

Maintenance

The grille should be removed to gain access to the duct. The external parts should be wiped with a damp cloth.

Dimensions



Ød ₁ Size	A mm	B mm	C mm	Free area F (m ²)	Weight kg
125	226	206	40	0,018	1,00
160	226	206	40	0,018	1,00
200	276	276	40	0,032	1,50
250	336	336	60	0,048	1,90
315	416	416	60	0,076	3,20
400	546	546	90	0,136	4,70

Order code

Product	VR	aaa
Type		
Size		

Materials and finish

Grille: Aluminium
Standard finish: Untreated

Can be supplied anodized or powder-coated. Contact Lindab's sales department for further information.

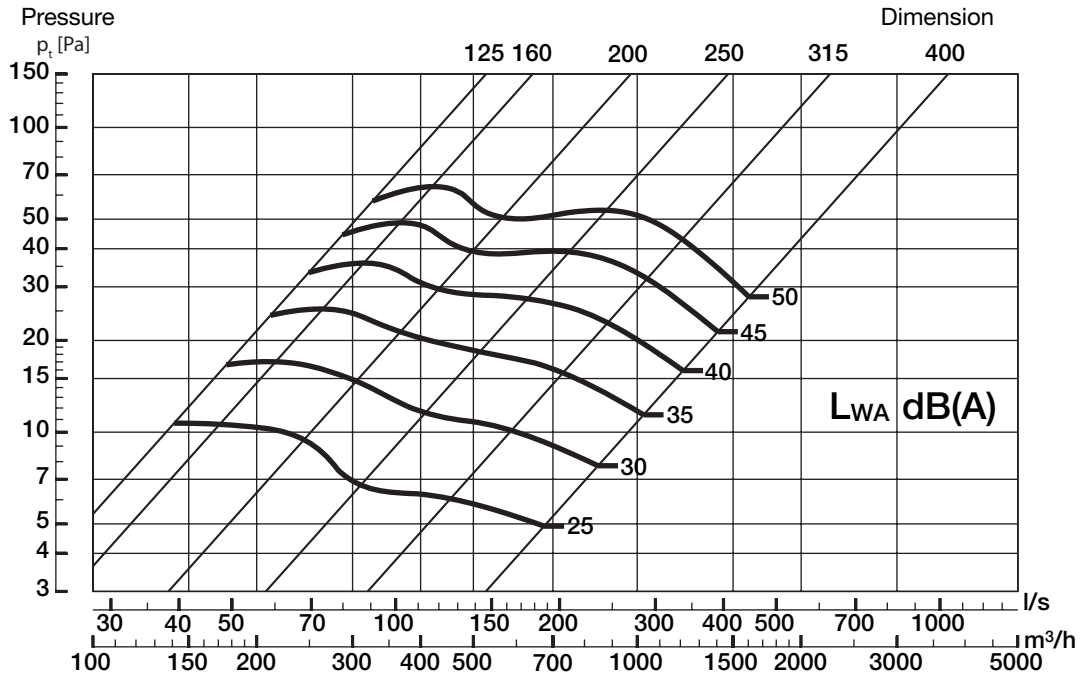
- 1
- 2
- 3
- 4
- 5
- 6
- 7
- 8
- 9
- 10
- 11**
- 12
- 13
- 14
- 15
- 16
- 17
- 18

External wall grille

VR

Technical data

Intake



Discharge

