

External wall grille

YGC



Description

Valve for outdoor air intake and extract air discharge. Designed with a fixed louvre

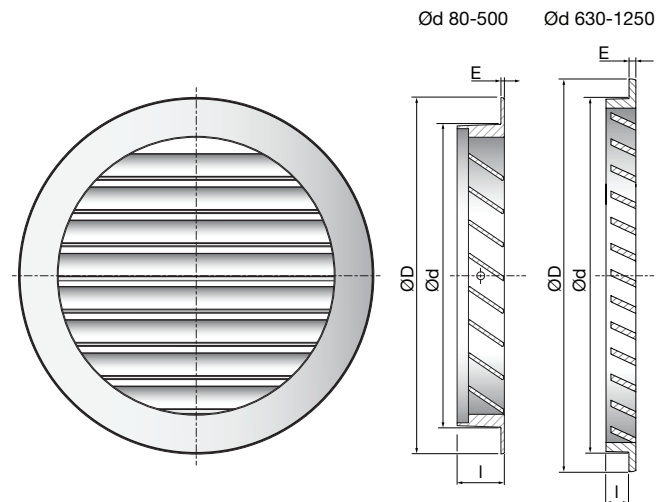
Ø 80–500 is equipped with net. Ø 630–1250 can be delivered with net to order. Mesh width 10×10 mm.

Screws or nails connect to an external wall.

Maintenance

The grille should be removed to gain access to the duct. The external parts should be wiped with a damp cloth.

Dimensions



Ød nom		ØD mm	I mm	E mm	A _f (m ²)	Weight kg
80	*	98	10,0	3,5	0,003	0,10
100	*	123	19,5	2,5	0,006	0,13
125	*	149	19,5	2,5	0,009	0,18
150	*	173	19,5	2,5	0,013	0,23
160	*	183	19,0	3,0	0,015	0,27
200	*	223	19,0	3,0	0,024	0,47
250	*	273	21,5	3,5	0,038	0,70
315	*	338	21,0	4,0	0,063	1,09
400	*	440	34,0	6,5	0,079	3,00
500	*	545	34,0	6,5	0,118	5,50
630		660	50,5	6,5	0,187	8,80
710		740	50,5	1,5	0,235	10,8
800		830	50,5	1,5	0,300	14,6
1000		1030	50,5	1,5	0,470	21,0
1250		1280	50,5	1,5	0,740	35,0

* The grill has 2 × Ø 4,2 mm screw holes on the side for mounting.

Ød > 500 mm, no pre-drilled holes for mounting.

A_f (m²) = Free area

Order code



Example: YGC-160

Materials and finish

Grille: Ø80-500 Cast aluminium
 Grille: Ø630-1250 Galvanised steel
 Standard finish: Untreated

Can be supplied powder-coated. Contact Lindab's sales department for further information.

External wall grille

YGC

Technical data

Capacity

Volumeflow, q [l/s] and [m³/h], total pressure drop, Δp_t [Pa], can be seen in the diagrams.

Sound level in free field (1/4 spherical)

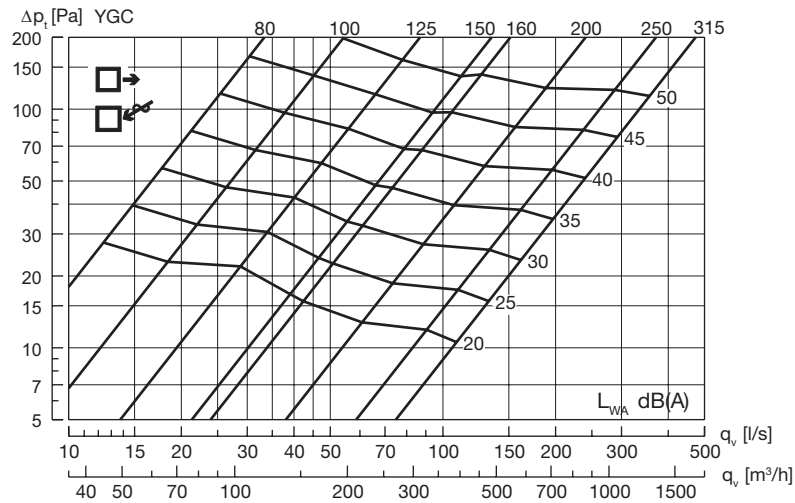
The sound effect level L_{WA} is shown in the diagram.

For sound level at distance X [m],

$L_A = L_{WA} - K$, see table below.

X [m]	1	2	3	4	5	10	20
K [dB]	-5	-12	-15	-17	-19	-25	-30

YGC 80-315



YGC 400-1250

